


# Power Circuit

=+/Single-line diagram panel

**Company Name:**  
Elgha Electronic Ofogh Erfan



ERFAN STEEL  
شركة ارفان فولاد  
Elgha Electronic Ofogh Erfan

**Company Address:** Yazd Industrial Town  
**Company Phone:** 03591013048 - 09131563981

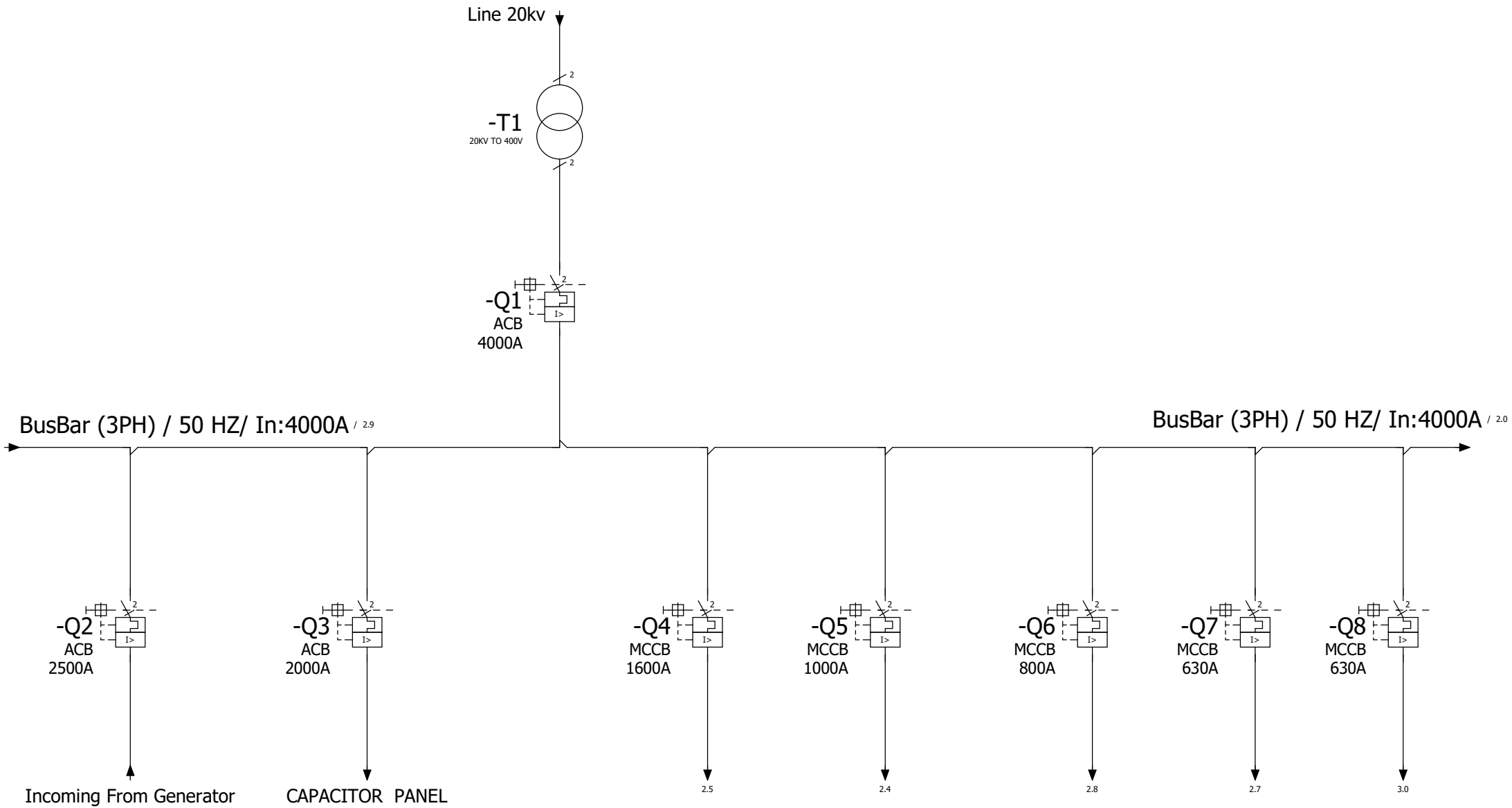




**Project Name:**  
Sefid Dasht Distribution panel

**Project Name:**  
Hossein dehghan

**CHK:** A.Falahi  
**APP:** J.Mirahmadi

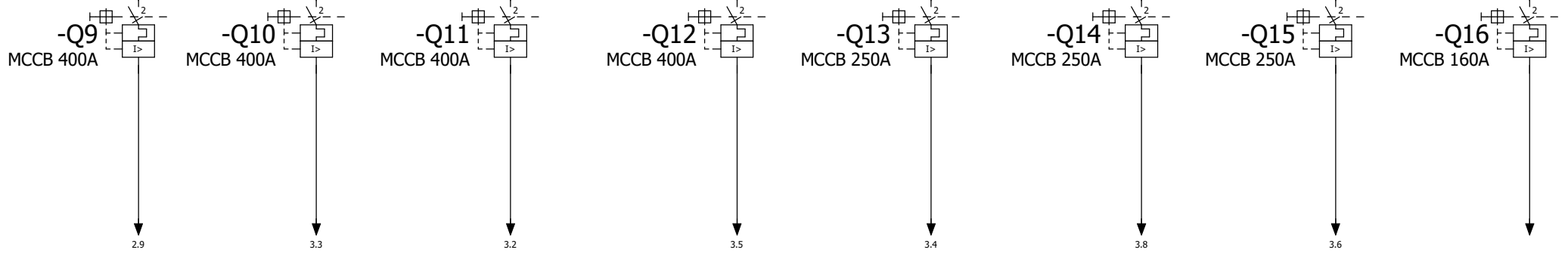
**Date:**  
2024-12-01



<p><b>Company Name:</b> Elgha Electronic Ofogh Erfan</p> 	<p><b>Company Address:</b> Yazd Industrial Town <b>Company Phone:</b> 03591013048 - 09131563981</p> 	<p><b>Project Name:</b> Sefid Dasht Distribution panel</p>	<p><b>Project Name:</b> Hossein dehghan</p>	<p><b>CHK:</b> A.Falahi <b>APP:</b> J.Mirahmadi</p>	<p><b>Date:</b> 2024-12-01</p>
--	---	--	---	---	------------------------------------

BusBar (3PH) / 50 HZ/ In:4000A / 3.9

BusBar (3PH) / 50 HZ/ In:4000A / 3.0



=Control Circuit/1

Company Name:  
Elgha Electronic Ofogh Erfan



Company Address: Yazd Industrial Town  
Company Phone: 03591013048 - 09131563981



Project Name:  
Sefid Dasht Distribution panel

Project Name:  
Hossein deghnan

CHK: A.Falahi  
APP: J.Mirahmadi

Date:  
2024-12-01

# Control Circuit

=Power Circuit/3

2

**Company Name:**  
Elgha Electronic Ofogh Erfan



**Company Address:** Yazd Industrial Town  
**Company Phone:** 03591013048 - 09131563981

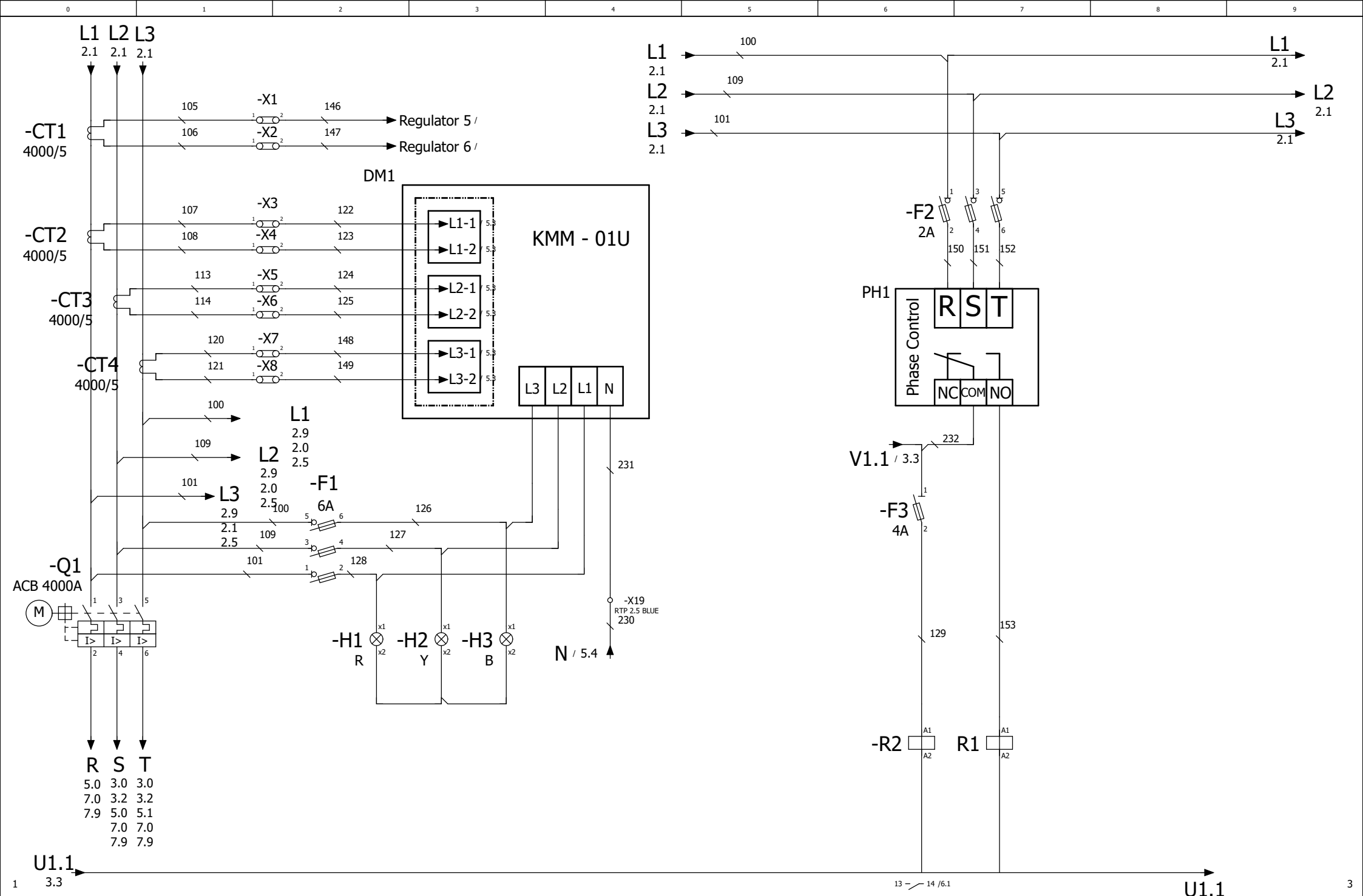


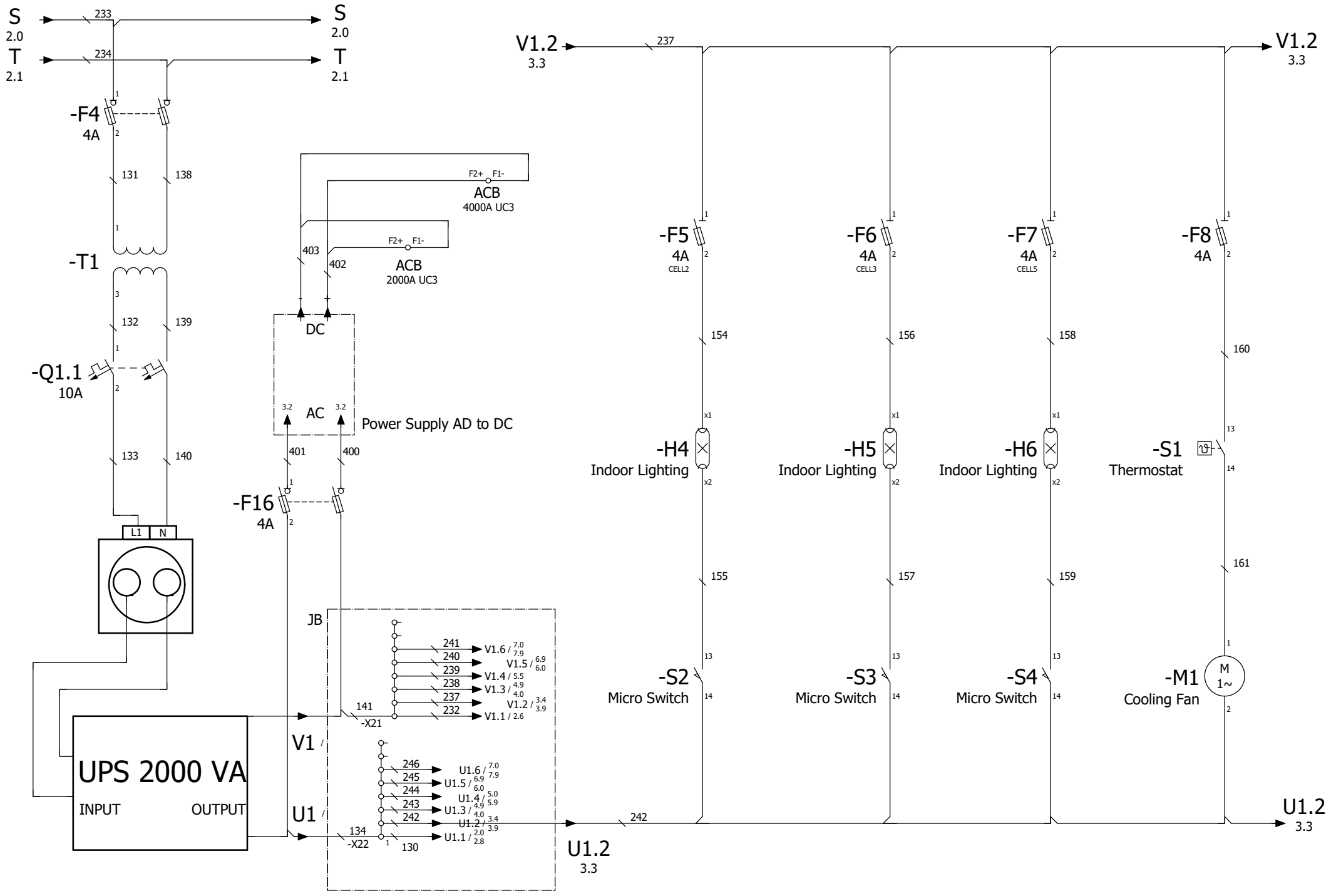
**Project Name:**  
Sefid Dasht Distribution panel

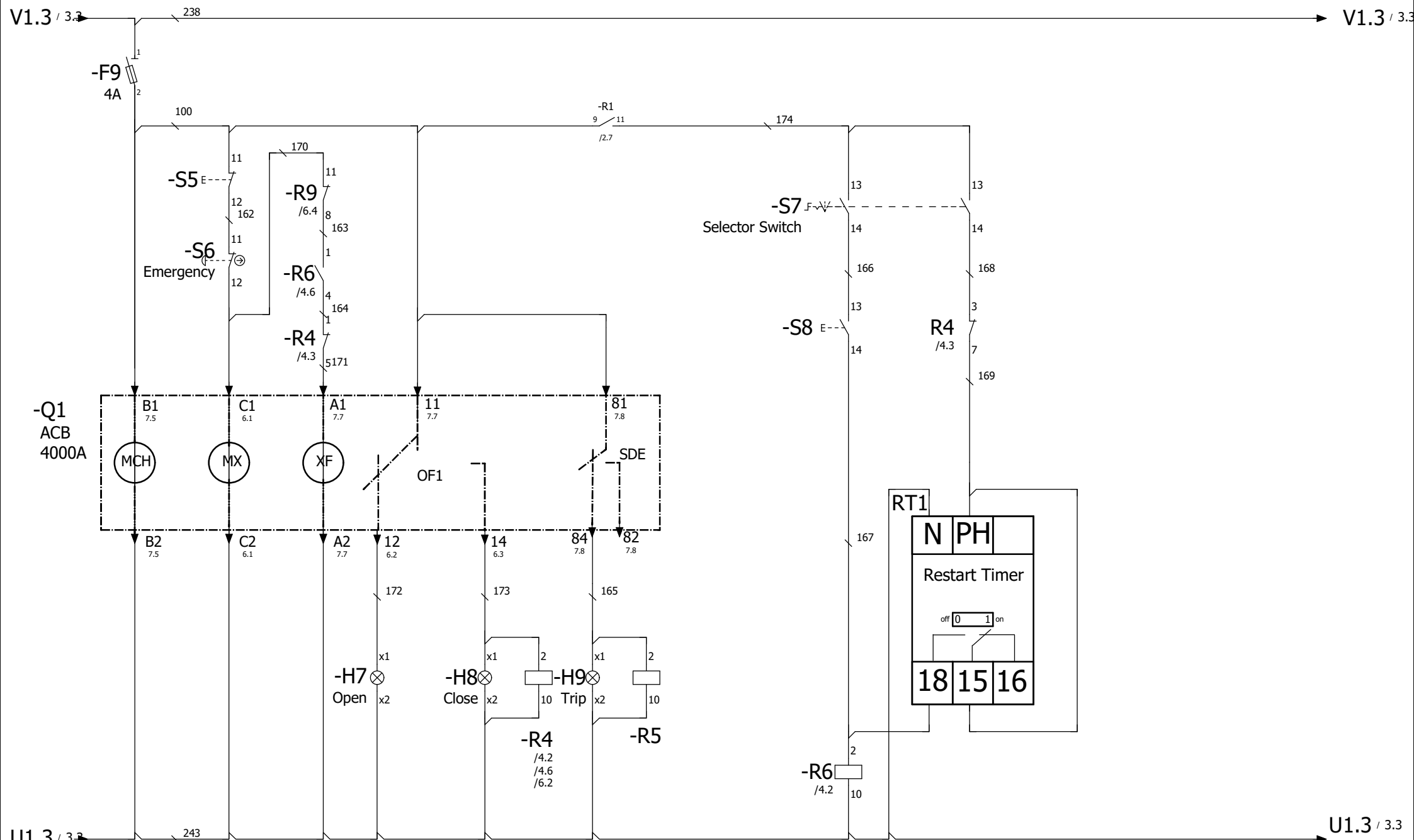
**Project Name:**  
Hossein dehghan

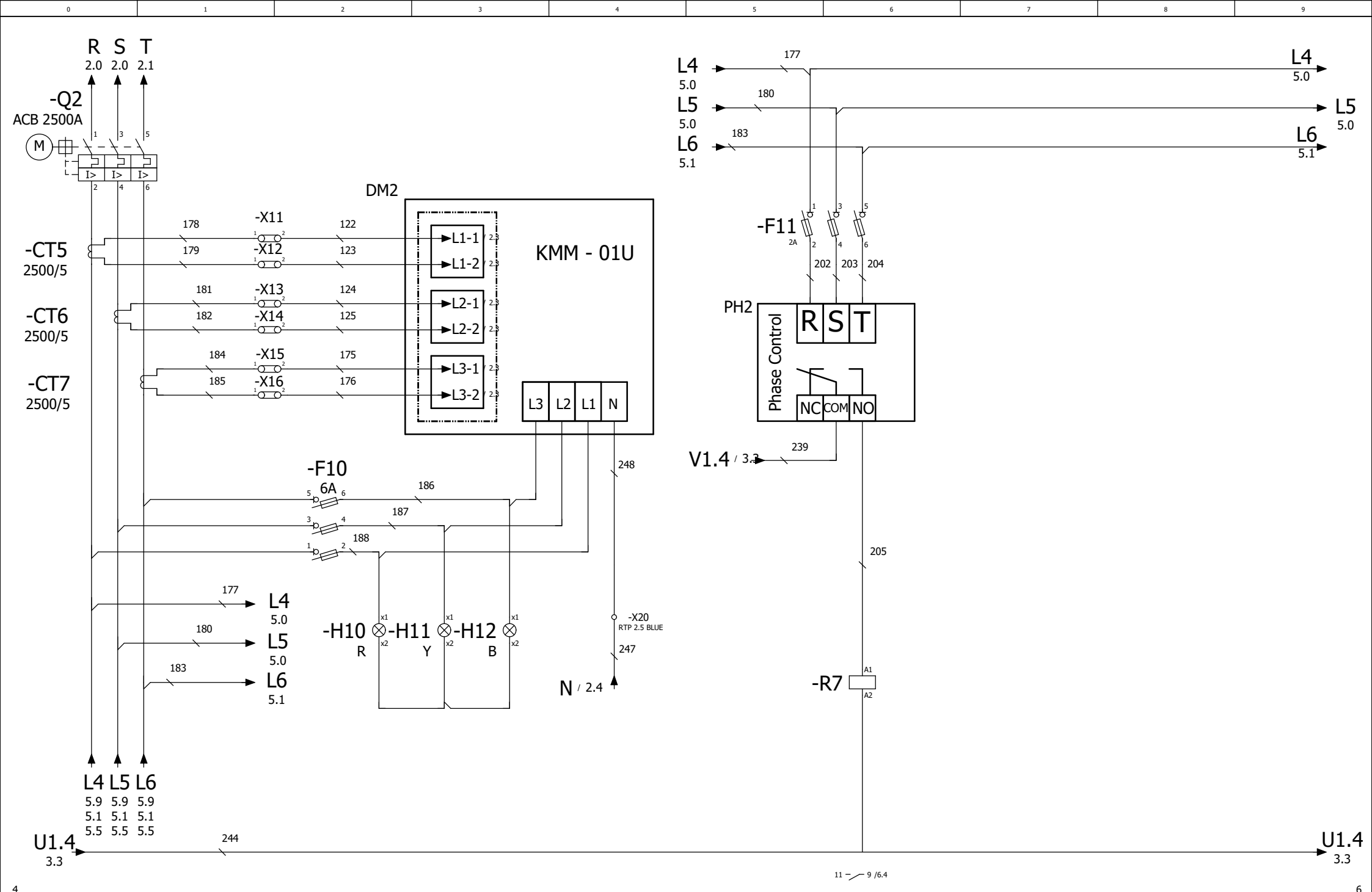
**CHK:** A.Falahi  
**APP:** J.Mirahmadi

**Date:**  
2024-12-01

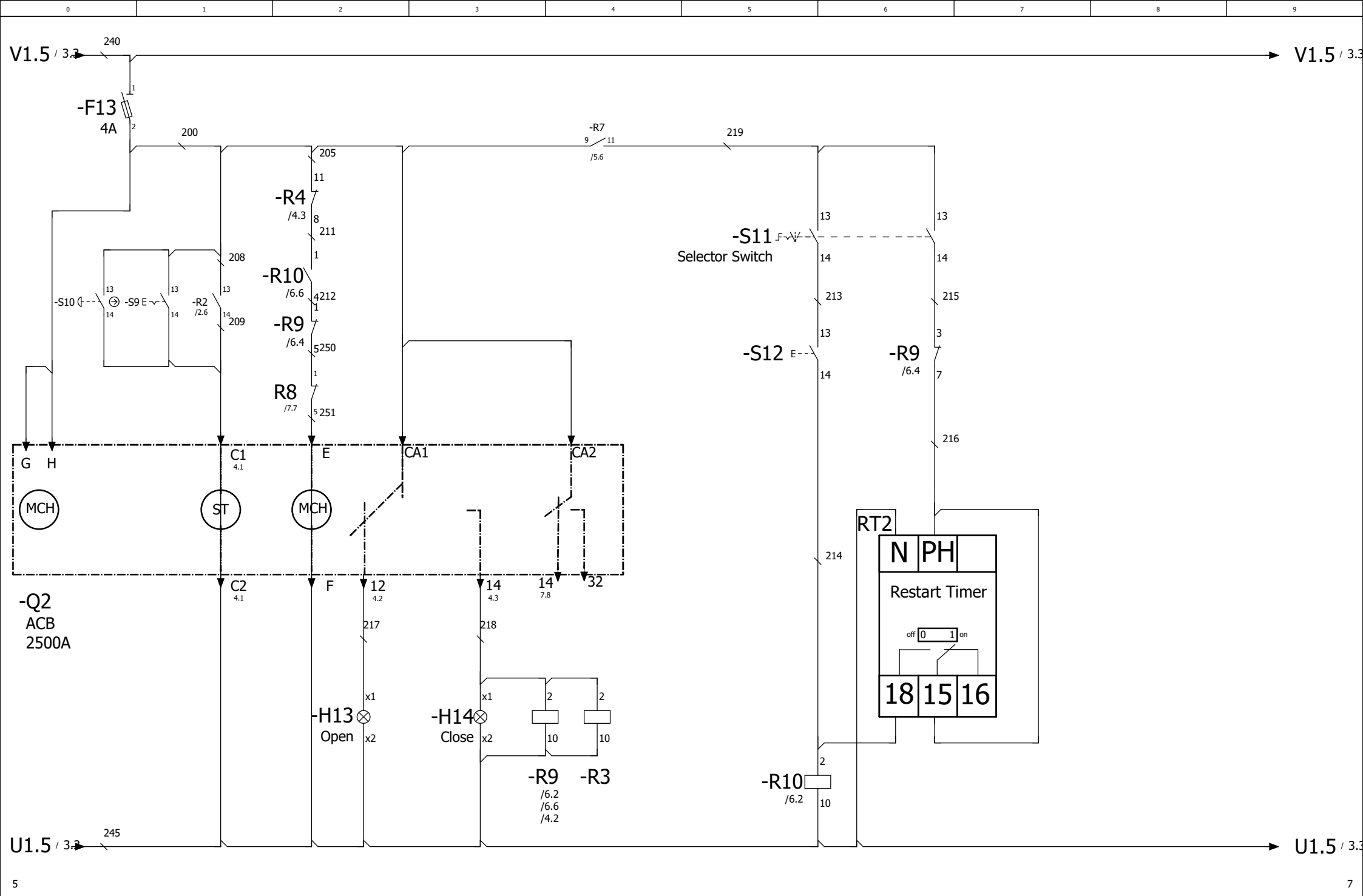


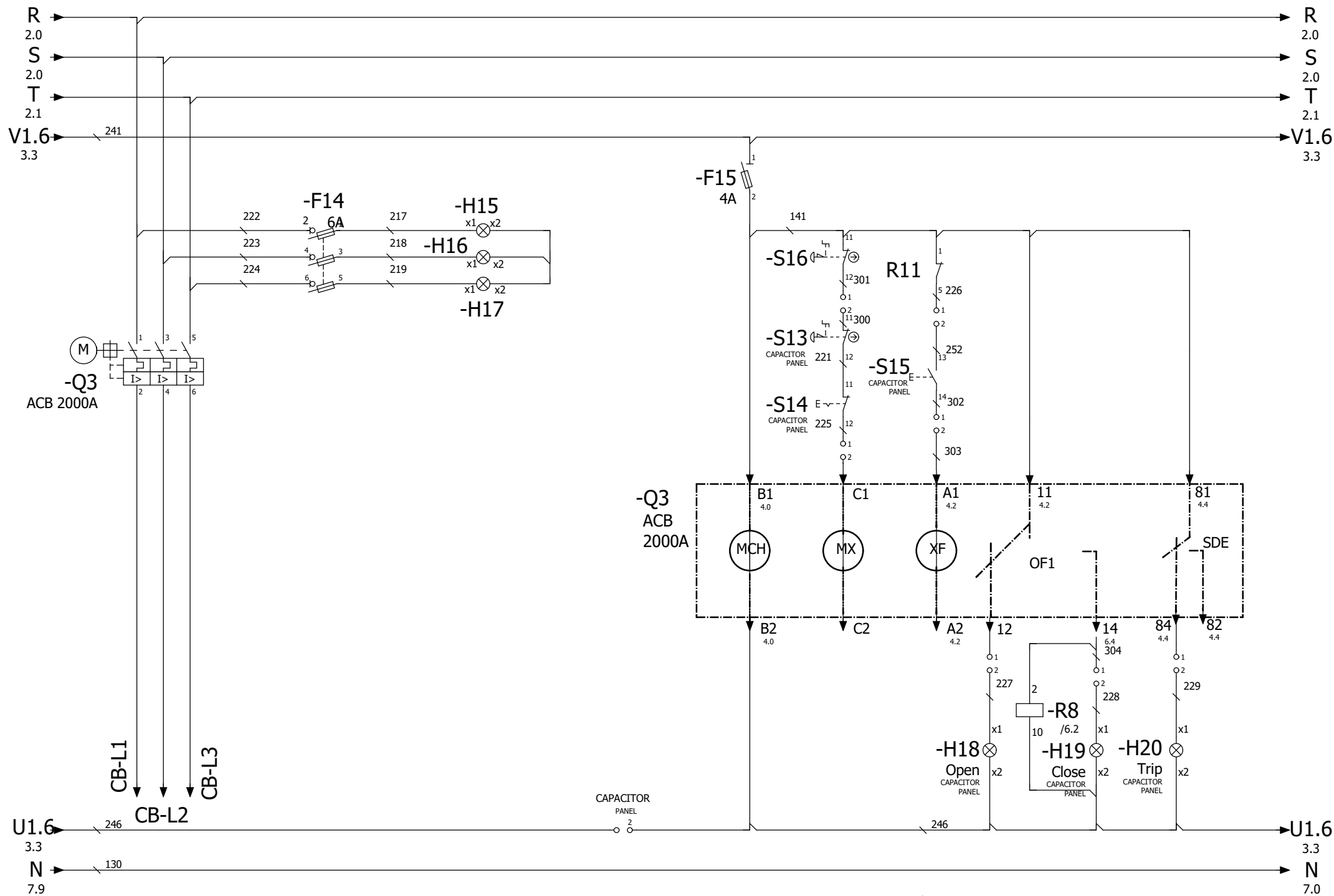












6